

MANISCOPIC

MT 1340
SLT MU ORH



- Working height : 14.80 m
- Maximum forward reach : 11.05 m
- Standard capacity : 365 kg including 3 people
- HYDRAULIC STABILIZERS and FRAME LEVELLING
- Extendable platform from 2.25 m to 4 m adjustable (180°).

«EC» type examination N° 0526 760A 4903 01 97

 **MANITOU**

MT 1340 SLT MU ORH

Capacity :365 kg including 3 people
Working height :14.80 m
Basket floor height :12.80 m

Lifting :
Times : unladen / loaded (in s)
Lifting11.8/12.3
Lowering8.4/7.9
Simultaneous extension 1st and 2nd booms.....17/17
Simultaneous retraction 1st and 2nd booms...14/13.5

Tyres
 440/80-24 T37 158B

Equipment :
Forks (mm)
length1200
Width x thickness125 x 50
Extendable platform from 2,25 to 4 m adjustable 180°

Multidisc brakes - hydraulically assisted on both axles

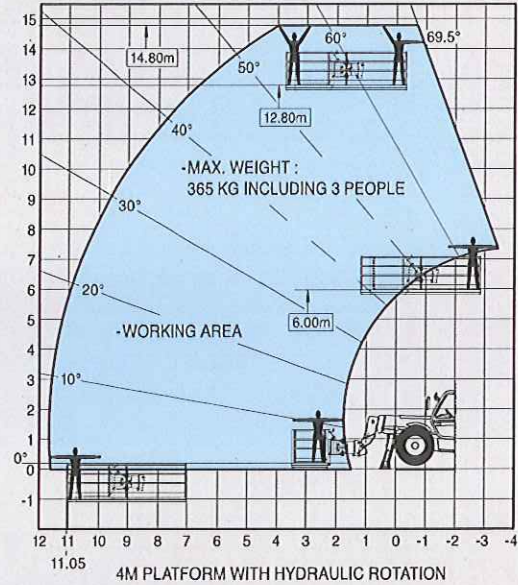
PERKINS Engine
Type.....1104C.44 Turbo
Capacity4 cyl. - 4400 cm³
Power100 HP/74,5 kw
 (ISO/TR 14396) at 2200 rpm
Maximum torque :412 Nm at 1400 rpm
Direct Injection
Water Cooling

TransmissionTorque convertor
Electro-hydraulic reversing shift
4 speeds forward and reverse
Maximum travel speed.....25 km/h

Hydraulics
Lifting/tilting pump
gear type:260 bars/166 l/mn
Flow divider with priority to steering and brakes

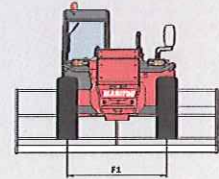
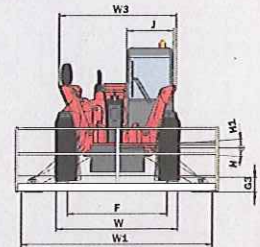
Capacities
Cooling system18.5 l.
Engine oil :11 l.
Hydraulic oil126 l.
Transmission oil16 l.
Fuel tank135 l.

Weight unladen (with platform)11230 kg
Overall width2.42 m
Overall height2.60 m
Turning radius (outside wheels)4.17 m
Overall length7.94 m
Ground clearance0.48 m
Drawbar pull.....9400 daN

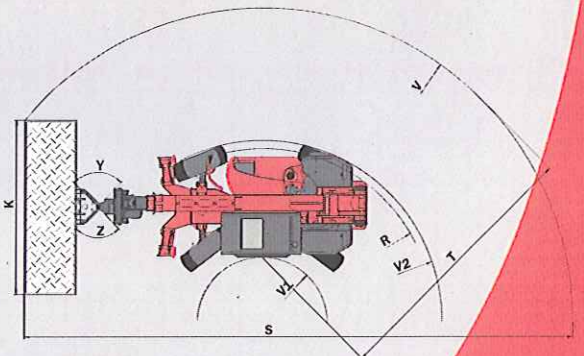
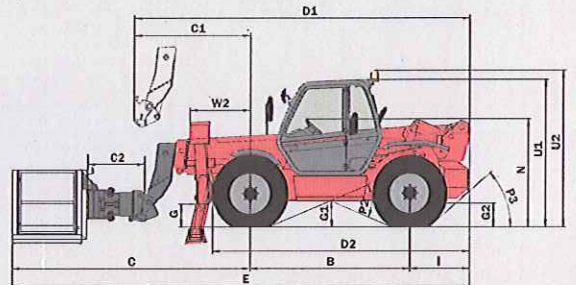


Under pr En 280

Options of platform	
Fixed 2 m	365 kg including 3 people
Adjustable 2 m	
Adjustable and extendable 2.40 m	
Adjustable and extendable 2.45/5 m	1000 kg including 3 people
Adjustable and extendable 2.45/6 m	
Adjustable and extendable 2.25/4 m	1000 kg including 3 people
Roofer Platform	1000 kg including 3 people



A	1200
B	2770
C	4120
C1	2918
C2	887
D1	6018
D2	4435
E	7940
F	1990
F1	1990
G	480
G1	475
G2	480
G3	290
H	7°
H1	7°
I	1050
J	950
K	4000
L	1250
N	1890/1940
P2	45,5°
P3	50°
R	3950
S	9673
T	5766
U1	2605
U2	2785
V	7236
V1	1470
V2	4168
W	2425
W1	3820
W2	1050
W3	2350
Y	90°
Z	90°

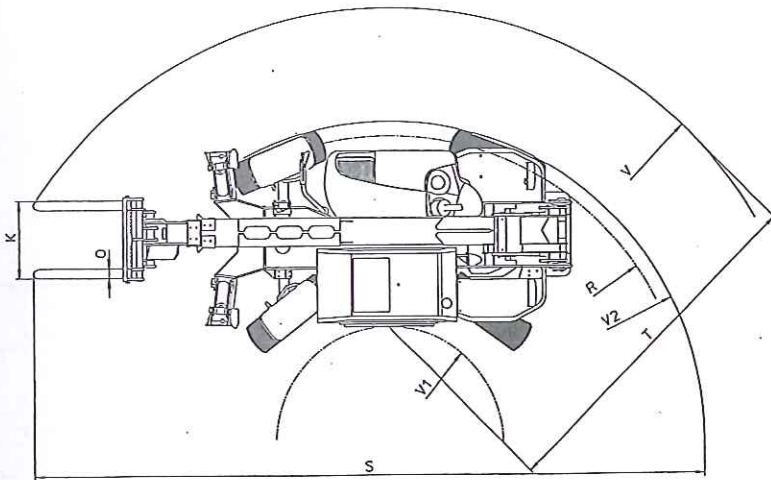
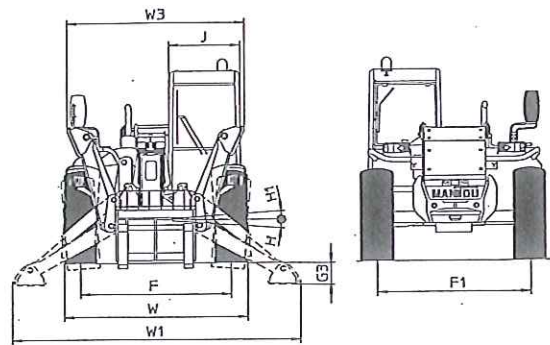
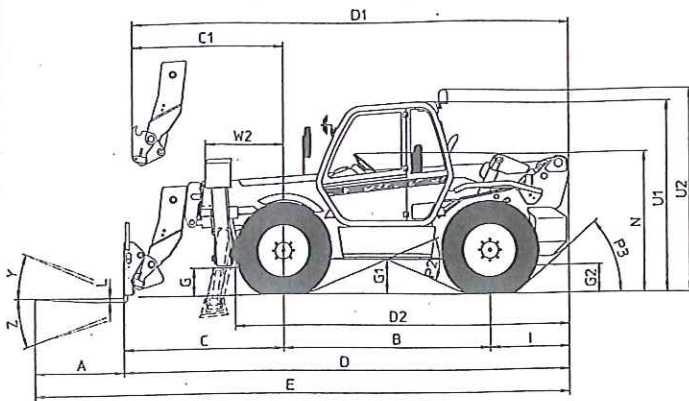


This publication in no way constitutes an offer and the company reserves the right to alter specification without prior notice.
 The MANITOU models presented in this brochure can be supplied complete with optional equipment attachments.
 PATENTS FR 93 14367 - EP 0 656 315 - US PENDING



DIMENSIONS AND LOAD CHART

MT 1340 SL Turbo ULTRA Série 3-E2



A	1200 mm
B	2770 mm
C	2134 mm
C1	2045 mm
D	5954 mm
D1	5865 mm
D2	4435 mm
E	7154 mm
F	1990 mm
F1	1990 mm
G	500 mm
G1	495 mm
G2	500 mm
G3	290 mm
H	7 °
H1	7 °
I	1050 mm
J	950 mm
K	1040 mm
L	50 mm
N	1890 mm/1940 mm
O	125 mm
P2	45,5 °
P3	50 °
R	3933 mm
S	8869 mm
T	4665 mm
U1	2590 mm
U2	2770 mm
Y	5750 mm
V1	1470 mm
V2	4150 mm
W	2425 mm
W1	3820 mm
W2	1050 mm
W3	2350 mm
Y	12 °
Z	112 °

